

PT-PTBS-GET
Square Multiple-Entry Junction Box
Power Connection Kit
Instruction Manual



Read and understand this manual before installing, operating, or servicing this junction box. Failure to understand these instructions could result in an accident causing serious injury or death. Only qualified personnel should install, operate, or service this junction box.

TABLE OF CONTENTS

Introduction2
 Safety Alert Symbol2
 Important Safety Instructions3
 Product Overview4
 Specifications4
 Installation5
 Warranty Information7

INTRODUCTION

PT-PTBS-GET durable corrosion resistant enclosures provide premium protection for electrical connections. Your PT-PTBS-GET junction box is designed to provide a long and efficient service life with function, reliability, and safety in mind.

PT-PTBS-GET junction boxes are approved for use in non-hazardous area (ordinary) locations with low and mid-temp heating cable.

PT-PTBS-GET junction boxes are CSA approved for use in hazardous area (Class I, Div 2; Class II, Div 2; Class III) locations with SLCBL series heating cable only.



SAFETY ALERT SYMBOL

The symbol above is used to call your attention to instructions concerning your personal safety. It points out important safety precautions. It means **“ATTENTION! Become Alert! Your Personal Safety is involved!”** Read the message that follows and be alert to the possibility of personal injury or death.



Immediate hazards which **WILL** result in severe personal injury or death.



Hazards or unsafe practices that **COULD** result in severe personal injury or death.



Hazards or unsafe practices that **COULD** result in minor personal injury or property damage.

SAVE THESE INSTRUCTIONS!

Additional copies of this manual are available upon request.

IMPORTANT SAFETY INSTRUCTIONS



⚠ DANGER

A person who has not read and understood all operating Instructions is not qualified to operate this product.

⚠ DANGER

- Do not immerse junction box in liquid.
- Keep volatile or combustible material away from junction box when in use.
- Use junction box only in approved locations.
- Keep sharp metal objects away from junction box.

Failure to observe these warnings may result in electric shock, risk of fire, and personal injury.

⚠ WARNING

End-User Must Comply to the Following:

- Only qualified personnel are allowed to connect electrical wiring.
- Disconnect all supply power at the source before making any power connections.
- All electrical wiring must follow local electrical codes and highly recommend following NEC Article 427.
- The person who performs the final installation / wiring must be qualified for this work.
- The end-user is responsible for providing a suitable disconnecting device.
- The end-user is responsible for providing suitable electrical protection device. It is highly recommended that a ground fault circuit breaker be used.

Failure to observe these warnings may result in personal injury or damage to the product and/or property.

Agency Approvals

For SLCBL -BP, -BF Series only



Class I, Div. 2 , Groups A, B, C, D
Class II, Div. 2 , Groups E, F, G
Class III

Approvals valid only when installed in accordance with all applicable instructions, codes, and regulations.

⚠ CAUTION

- Inspect all components before use.
- Do not use junction box if any component is damaged.
- Do not repair a damaged or faulty component.
- Do not crush or apply severe physical stress on any component of system, including cord assembly.
- Unit must be mounted away from vibration, impacts, water and corrosive gases.
- Do not operate junction box above rated temperature value.
- Fasten junction box to device using approved methods only.

Failure to observe these warnings may result in personal injury or damage to the product and/or property.

- ★ Available for use in hazardous and non-hazardous areas
- ★ Up to 3 heating cables connected



Class1.Div2,Group A,B,C,D
Class2.Div2,Group E,F,G
Class3.Div2

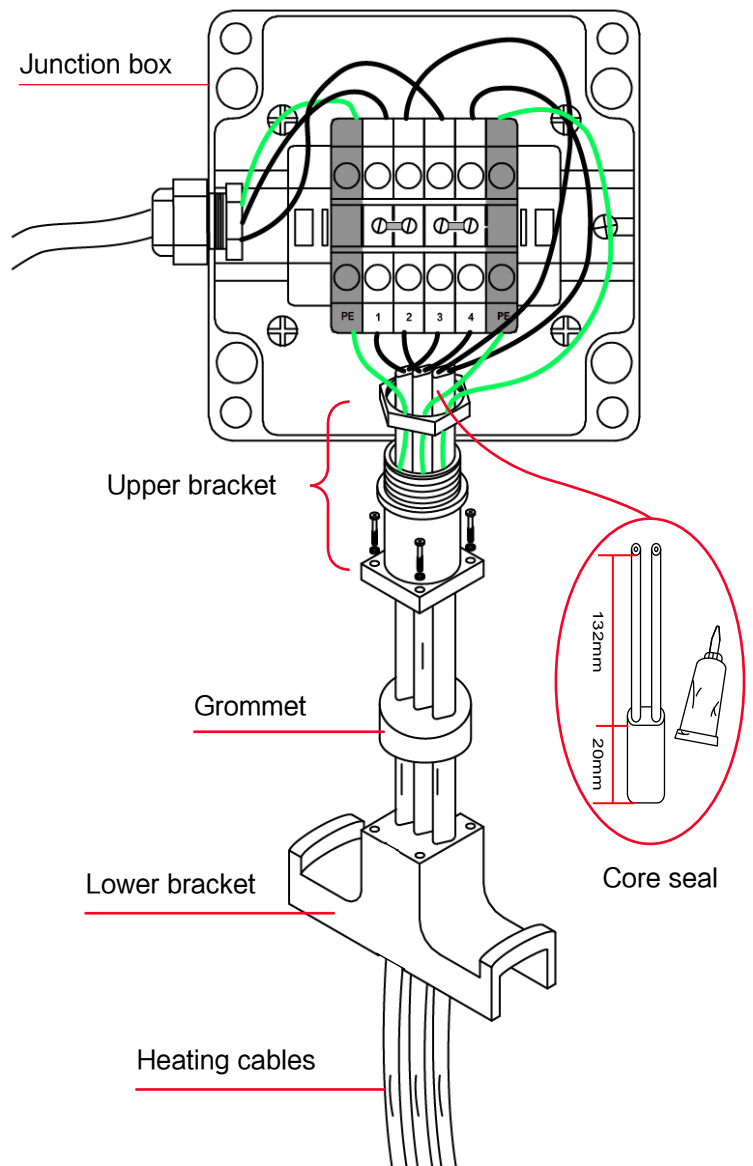
PRODUCT OVERVIEW

The PT-PTBS-GET kit is designed to connect power to ProTherm heating cables. It is approved by CSA for use in hazardous and non-hazardous areas.

The PT-PTBS-GET integrates the functions of connection kits and insulation entries. The rugged stand protects the heating cable and allows up to 132 mm of thermal insulation.

The innovative spring clamp terminals provide safe, reliable, maintenance-free operation.

PT-PTBS-GET contains all the necessary materials for a complete certified installation.

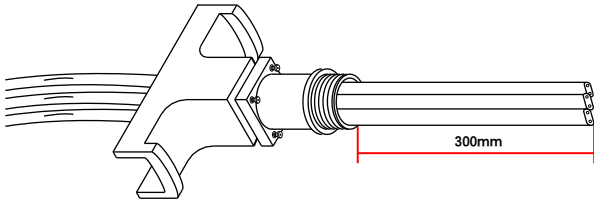


SPECIFICATIONS

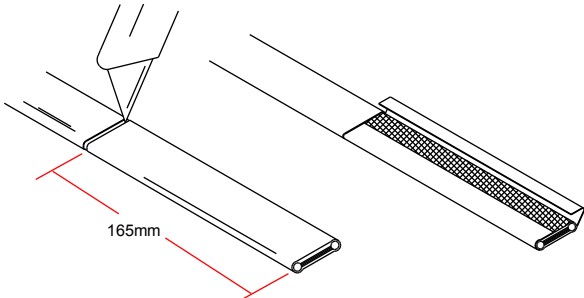
Minimum installation temperature	-40°C (-40°F)
Size L*W*H	120*120*90 mm
Material	Glass reinforced Polyester, Fire Retardant

Installation Instructions

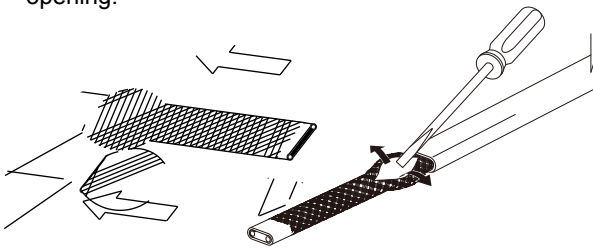
1. Push with strength 1, 2 or 3 heating cables from the bottom of the lower bracket through and leave 300mm exposed.



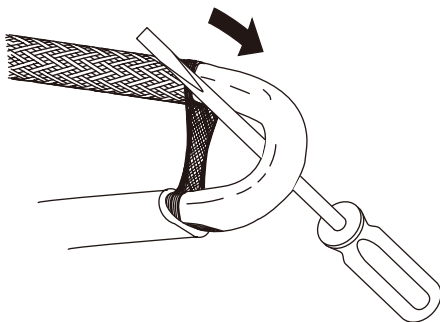
2. Lightly cut around cable jacket 165mm from the end of cable. Bend cable to break jacket. Lightly cut the jacket up the center between the first cut mark and the end of cable. Bend cable to break jacket. Remove the jacket from the heating cable.



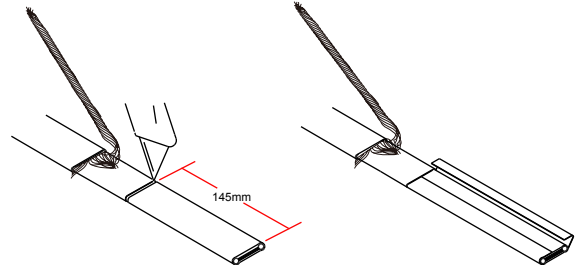
3. Move braid back toward the overjacket, creating a bulge. At the bulge, separate the braid to make an opening.



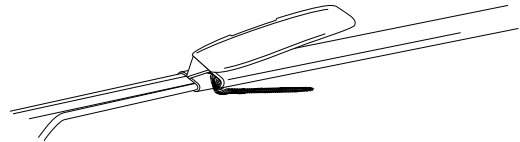
4. While bending the heating cable, work it through the braid opening. Pull the braid tight.



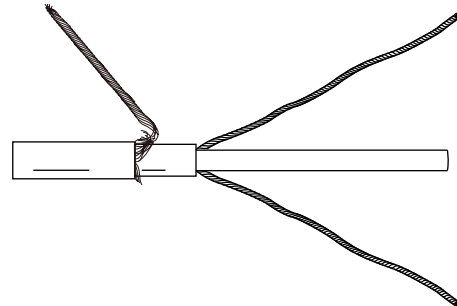
5. Lightly cut around cable insulation 145mm from the end of cable. Bend cable to break the insulation. Lightly cut the insulation up the center between the first cut mark and the end of cable. Bend cable to break jacket. Remove the insulation.



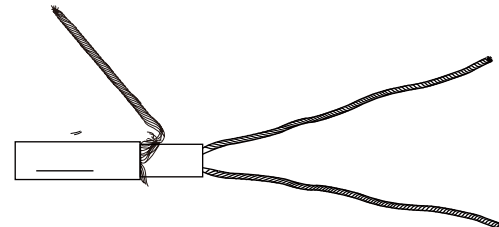
6. Shave off out matrix material from each bus wires with a utility knife.



7. Peel back exposed wires from central matrix. DO NOT CUT THE BUS WIRES.



8. Cut off the exposed matrix. DO NOT CUT THE BUS WIRES.



9. Squeeze the RTV silicone into the core sealer

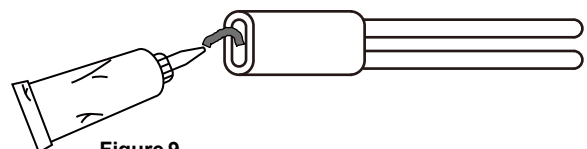
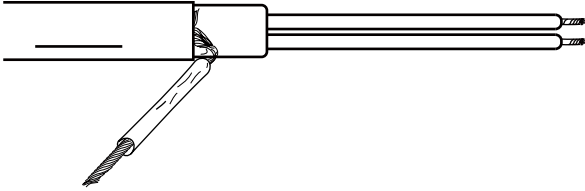


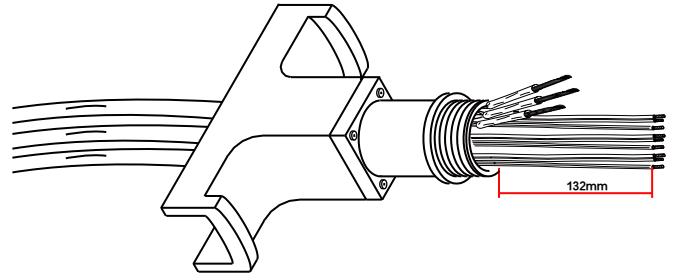
Figure 9

10. Insert the bus wires through a core seal.
Insert the braiding through a yellow-green tube.



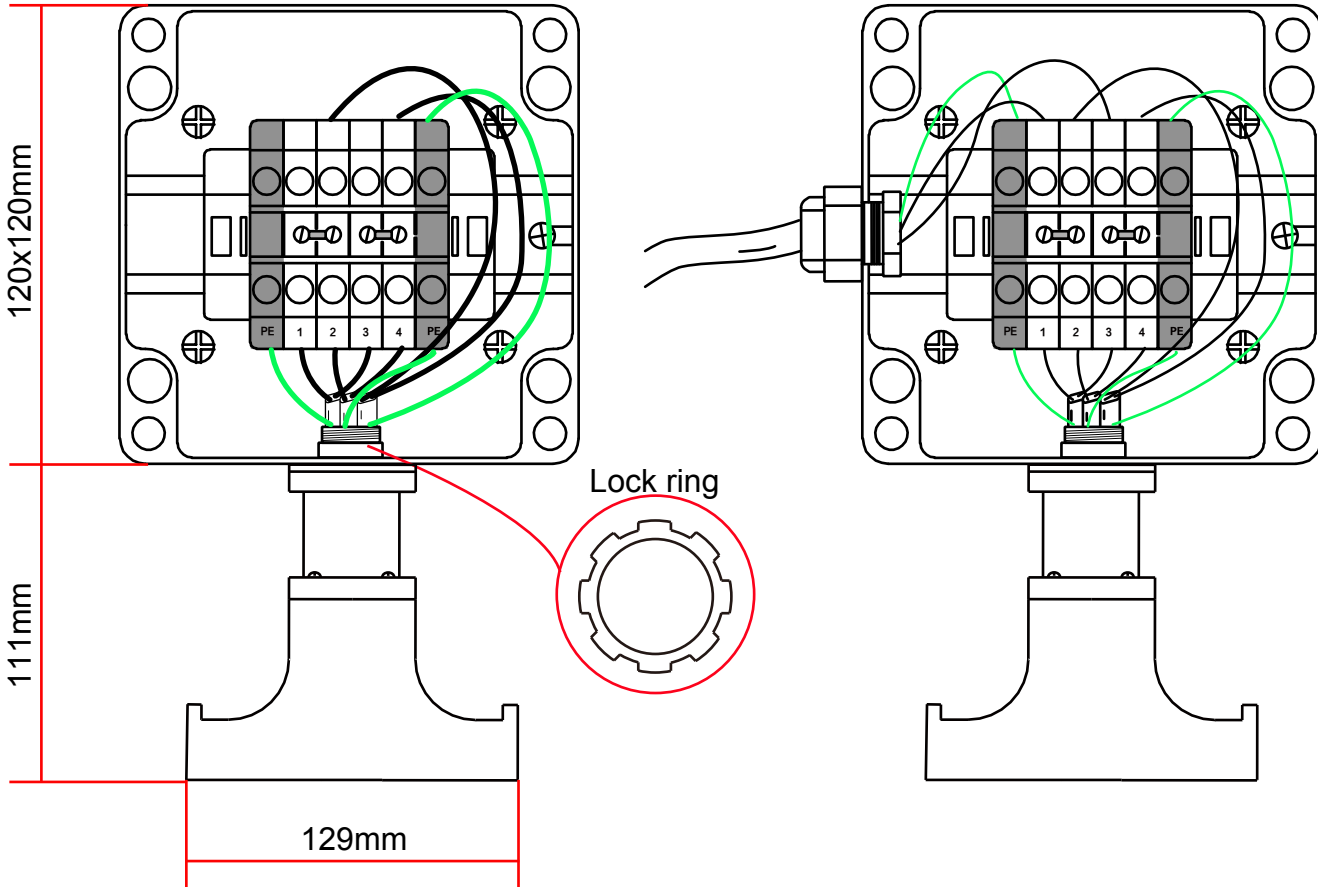
11. If there is a second or third cable, repeat step 2 to step 10.

12. Pull back the heating cables, leaving 132mm core seal exposed. Tighten the 4 screws.



13. Insert the cables through the lower entry of the junction box.
Lock the bracket with the junction box by the lock ring.
Connect the bus wires (black) and ground wires (green) to the nuts as shown.

14. Connect the power wires (black) and ground wires (green) to the nuts as shown.



WARRANTY INFORMATION

ProTherm warrants to the original purchaser of this product for the period of eighteen (18) months from date of shipment or twelve (12) months from date of installation, whichever comes first. ProTherm's obligation and the exclusive remedy under this warranty shall be limited to the repair or replacement, at ProTherm's option, of any parts of the product which may prove defective under prescribed use and service following ProTherm's examination, is determined by ProTherm to be defective.



201 Pryor Creek Road, Suite 5, Lebanon, TN 37090
Phone: (615) 834-4044 Email: protherm@comcast.net

www.prothermind.com
Buy Online www.heatingelementsplus.com