

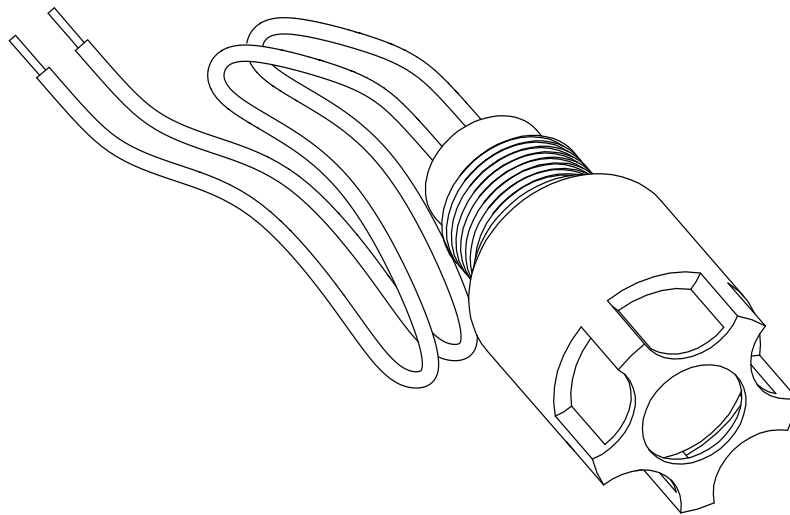
# Chromalox<sup>®</sup>

## Installation Instructions

### SERVICE REFERENCE

DIVISION 4	SECTION RT
SALES REFERENCE	PJ938
	168-562315-006
DATE	JANUARY, 2009

## Type D1SL-1 and D1SL-2 Class I, Division 1 Signal Lights for use with Chromalox HL Connection Kits



### GENERAL

The D1SL-1 (120V) and D1SL-2 (208-277V) kits are used in conjunction with the HL-PC kit to provide an end of line or power connection signal light for use in Class I, Division 1 hazardous areas. The following are supplemental instructions upon assembly completion of the HL-PC connection kit.

#### **⚠ WARNING**

**Hazard of Electric Shock. Disconnect all power before starting. All installations must be effectively grounded in accordance with the National Electrical Code to eliminate shock hazard.**

#### **⚠ WARNING**

**Turn off power before removing junction box cover at all times.**

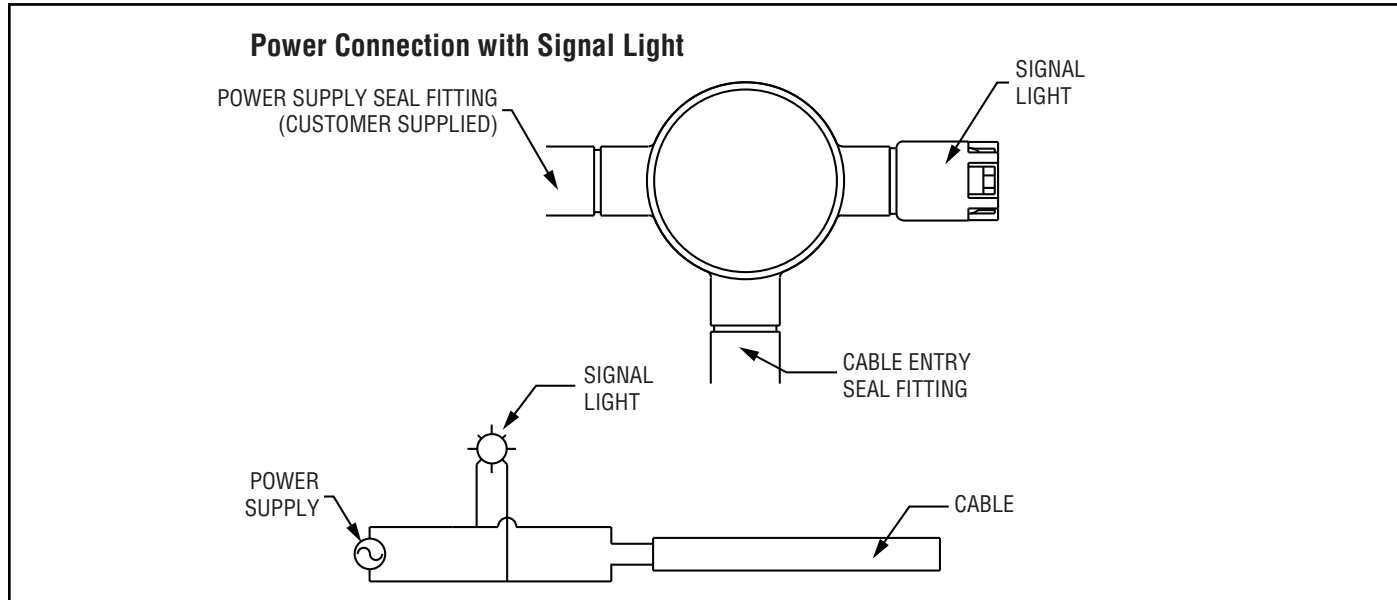
#### **⚠ WARNING**

**Users should install adequate controls and safety devices with their electric heating equipment. Where the consequences of failure may be severe, back-up controls are essential. Although the safety of the installation is the responsibility of the user, Chromalox will be glad to assist in making equipment recommendations.**

## INSTALLATION

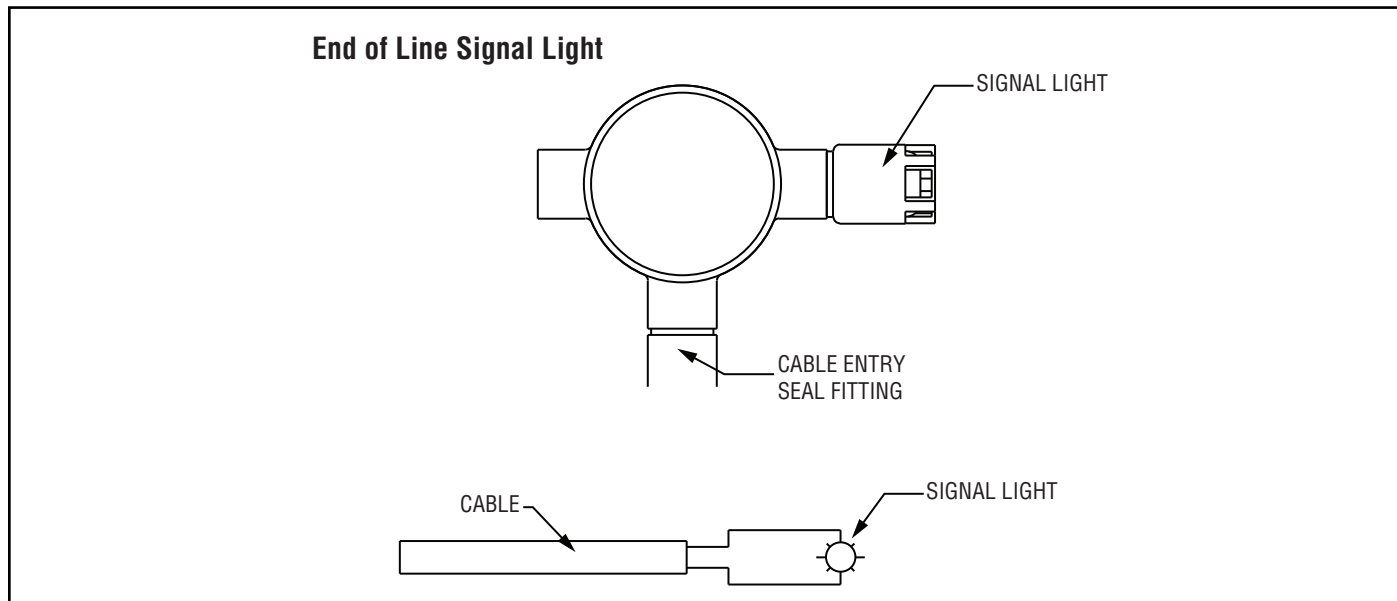
### Power connection with signal light instructions

1. Remove conduit plug and cover. Replace conduit plug with the hazardous area signal light. Connect with wire nuts as shown below.



### End of line signal light instructions

1. Remove cover. Insert the hazardous area signal light into the remaining open conduit hub. Connect with wire nuts as shown below.



### Limited Warranty:

Please refer to the Chromalox limited warranty applicable to this product at <http://www.chromalox.com/customer-service/policies/termsofsale.aspx>.

**Chromalox**<sup>®</sup>  
PRECISION HEAT AND CONTROL

1347 HEIL QUAKER BLVD., LAVERGNE, TN 37086  
Phone: (615) 793-3900 [www.chromalox.com](http://www.chromalox.com)