

D3 SERIES, DERATED TRIPLE METAL HEATERS					
WATTS	VOLTS	HOT ZONE		OVERALL LENGTH	SHIP WGT.
		In./(mm)	In./(mm)		
1500	120	6	11		21
	240	(152)	(279)		(9.5)
3000	240	10	17		30
	480	(254)	(432)		(13.6)
4500	240	16	23		33
	480	(406)	(584)		(15)
6000	240	20	29		39
	480	(508)	(737)		(17.7)
7500	240	25	35		45
	480	(635)	(889)		(20.4)
9000	240	30	40		51
	480	(762)	(1016)		(23.1)
12000	240	37	47		63
	480	(940)	(1194)		(28.6)
13500	240	44	54		69
	480	(1118)	(1372)		(31.3)
15000	240	49	59		75
	480	(1245)	(1499)		(34)
18000	240	58	68		84
	480	(1473)	(1727)		(38.1)

D3 Series Heater Features and Benefits

SUPERIOR CHEMICAL RESISTANCE:

- ◆ For use in most aqueous alkaline solutions, and plating and phosphate tanks. Check solution recommendation chart with your chemical supplier for proper sheath material selection.

RUGGED CONSTRUCTION:

- ◆ Heavy wall metal sheaths available in:
 - Steel
 - 304 stainless steel
 - 316 stainless steel
 - Titanium

OUTSTANDING PERFORMANCE:

- ◆ Watt densities up to 35 watts per square inch (5.4 w/cm²) ensure long service life.

CORROSION RESISTANT HEAD:

- ◆ Vapor resistant, flame retardant polypropylene terminal enclosure with 3 ft (.9m) flexible PVC liquid tight conduit.

SAFETY FEATURES:

- ◆ Grounded construction.
- ◆ Thermal protectors built in. Replaceable PI protector standard for solutions up to 180°F (82°C).
- ◆ Non-floating construction.

CERTIFICATIONS: cULus listed (except steel) and CE compliant (except 600 volts).

SIZES: 1,500 watts to 18,000 watts.

VOLTAGES:

- ◆ 120 to 600 volts.

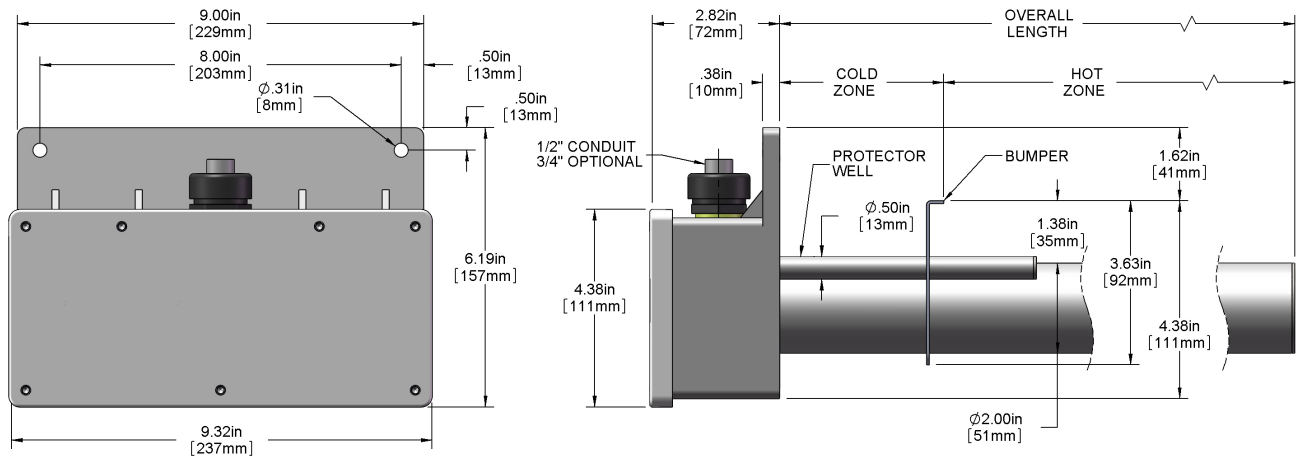
OPTIONS AVAILABLE (consult factory):

- ◆ Replaceable thermal protectors:
 - P4: for solutions up to 230°F(110°C)
 - P5: for solutions up to 300°F(149°C)

Resettable thermal protectors:

- ◆ P2: for solutions up to 180°F(82°C)
- ◆ P6: for solutions up to 230°F(110°C)
- ◆ P7: for solutions up to 300°F(149°C)
- ◆ Special configurations and lengths.
- ◆ Longer wire and conduit lengths.
- ◆ Lower watt densities for highly viscous solutions.
- ◆ Temperature and level controls sized to match the heater (sold separately).
- ◆ All metal welded junction box.

DIMENSIONS



DERATED TRIPLE TUBE METAL OVER THE SIDE HEATER ORDERING INFORMATION

Series	Wattage	Voltage	Length (in.)	Options	Type of Protector	Wire and Conduit Length																		
	1.5 = 1500 3 = 3000 4.5 = 4500 6 = 6000 7.5 = 7500 9 = 9000 12 = 12000 13.5 = 13500 15 = 15000 18 = 18000	1 = 120 2 = 240 3 = 380 4 = 480 5 = 415 6 = 600 7 = 400 8 = 208 9 = 220 0 = 200	11 = 1.5kW 17 = 3kW 23 = 4.5kW 29 = 6kW 35 = 7.5kW 40 = 9kW 47 = 12kW 54 = 13.5kW 59 = 15kW 68 = 18kW specify custom lengths, not to exceed tank depth			no designator = 36" length standard specify variations from standard Ex: -X84 = 84"																		
	D3P = steel D3F = 304 stainless steel D3S = 316 stainless steel D3T = titanium																							
	-X = any special configuration not called out in the part number (specify in clear text) no designator = three phase power (standard) -1 = single phase power																							
					<table border="1" style="width: 100%; border-collapse: collapse;"> <thead> <tr> <th colspan="2" style="text-align: center;">Replaceable Protector</th> </tr> </thead> <tbody> <tr> <td style="text-align: center;">P1 (std)</td> <td>for solutions up to 180°F</td> </tr> <tr> <td style="text-align: center;">P4</td> <td>for solutions up to 230°F</td> </tr> <tr> <td style="text-align: center;">P5</td> <td>for solutions up to 300°F</td> </tr> <tr> <th colspan="2" style="text-align: center;">Resettable Protector</th> </tr> <tr> <td colspan="2" style="text-align: center;">(additional control components required)</td> </tr> <tr> <td style="text-align: center;">P2</td> <td>for solutions up to 180°F</td> </tr> <tr> <td style="text-align: center;">P6</td> <td>for solutions up to 230°F</td> </tr> <tr> <td style="text-align: center;">P7</td> <td>for solutions up to 300°F</td> </tr> </tbody> </table>		Replaceable Protector		P1 (std)	for solutions up to 180°F	P4	for solutions up to 230°F	P5	for solutions up to 300°F	Resettable Protector		(additional control components required)		P2	for solutions up to 180°F	P6	for solutions up to 230°F	P7	for solutions up to 300°F
Replaceable Protector																								
P1 (std)	for solutions up to 180°F																							
P4	for solutions up to 230°F																							
P5	for solutions up to 300°F																							
Resettable Protector																								
(additional control components required)																								
P2	for solutions up to 180°F																							
P6	for solutions up to 230°F																							
P7	for solutions up to 300°F																							

