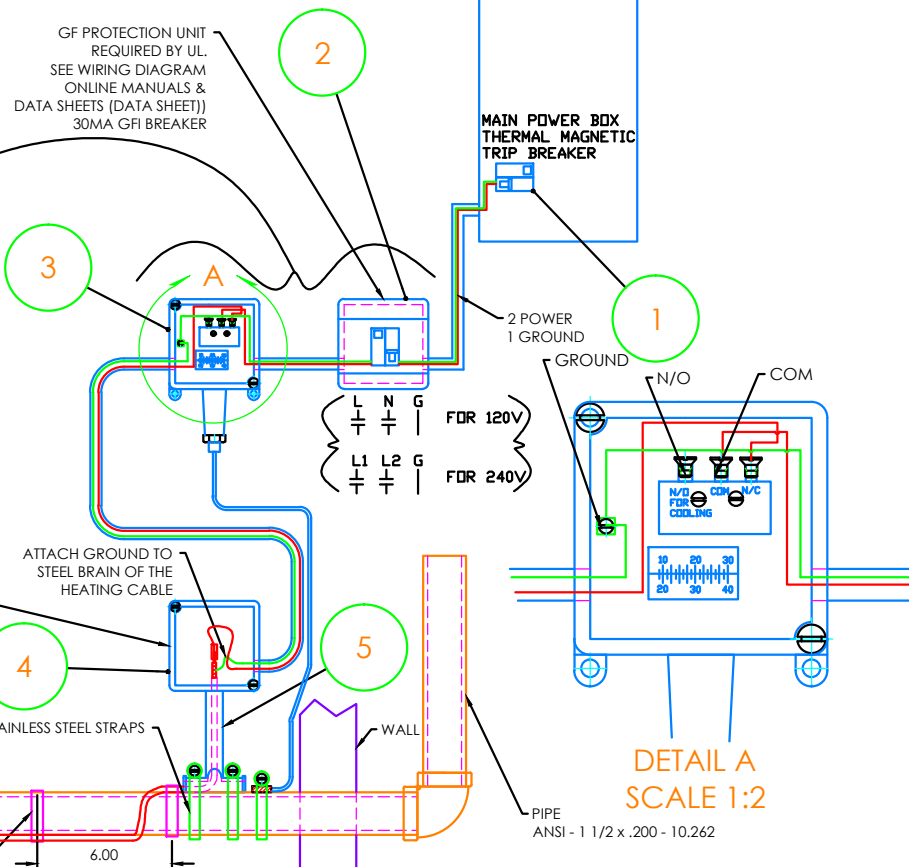
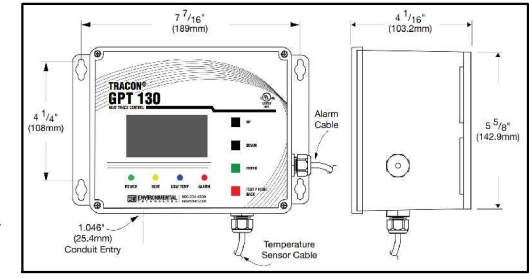


OPTIONS FOR LINE SENSING BILL OF MATERIAL

ITEM#	OPTIONAL PART# FOR THAT DEVICE	DISCRIPTION	ZONES OPTIONS	VOLTAGE	PRICE EA. AS OF "2017"
1	MAIN POWER BOX "EXISTING" BY OTHER	THERMAL MAGNETIC TRIP BREAKER IN MAIN POWER BOX FEEDING SYSTEM	N/A	N/A	\$0.00
2	#GF12120	GROUND FAULT PROTECTION UNIT REQUIRED BY UL, PICK# OF ZONES AND VOLTAGE	1 TO 6	120V/240V	\$145.00
3	#1660-13A11	LINE SENSING THERMOSTAT NEMA 4X	N/A	22 amp @ 480VAC	\$289.06
4	#1660-13A12	LINE SENSING THERMOSTAT FM CLASS 1 DIV1	N/A	22 amp @ 480VAC	\$403.12
5	#PCK-P	STANDOFF POWER CONNECTION KIT WITH JUNCTION BOX - POLY	N/A	120,208,240,277	\$125.00
6	#PCK-M	STANDOFF POWER CONNECTION KIT WITH JUNCTION BOX - METAL	N/A	120,208,240,277	\$145.00
7	#PSCAB010	PIPE STANDOFF FOR HEAT CABLE WITH 1" THREAD THESE ARE INCLUDED IN THE KITS	N/A	N/A	\$18.00
8	#PSCAB075	PIPE STANDOFF FOR HEAT CABLE WITH 3/4" THREAD INCLU	N/A	N/A	\$18.00
9	#PSCAB2-6	STAINLESS STEEL PIPE STRAPS FOR HEAT CABLES	N/A	N/A	\$3.00
10	#P212	FIBERGLASS TAPE 5" X 36 YARDS 108FT 350 DEGREES	N/A	N/A	\$18.00
11	#MLPT	HEAT TRACE CABLE TOP MOUNT MONITOR LIGHT / END SEAL	N/A	120 OR 240 VAC	\$285.00
12	#MLP	HEAT TRACE MONITORING LIGHT / END SEAL- POLY	N/A	120 OR 240 VAC	\$175.00
13	#MLM	HEAT TRACE MONITORING LIGHT / END SEAL- METAL/ SINGLE OR DOUBLE HUB BOX	N/A	120 OR 240 VAC	\$195.00
14	#1556-41003	HAZARDOUS AREA MONITOR LIGHT KIT 120V METAL	N/A	120 VAC	\$245.00
15	#1556-41004	HAZARDOUS AREA MONITOR LIGHT KIT 240V METAL	N/A	240 VAC	\$271.00
16	#PTHCL	HEAT TRACE CAUTION LABELS 10 PACK	N/A	N/A	\$7.50
17	#FPT-130	SINGLE POINT FREEZE PROTECTION HEAT TRACE CONTROLLER	N/A	100 V TO 277 V	\$599.00
18	#GPT-130	SINGLE POINT GENERAL PURPOSE HEAT TRACE CONTROLLER	N/A <td 100 V TO 277 V	\$799.00	

THIS OPTIONAL UNIT REPLACES ITEM 2 & 3
SEE INSTALLATION MANUAL @ WEB SITE #GPT-130



(OPTIONAL) SEE WIRING DIAGRAM ONLINE MANUALS & DATA SHEETS (HEAT TRACE MONITORING LIGHT INSTALLATION SHEET)

SEE WIRING DIAGRAM ONLINE MANUALS & DATA SHEETS (STANDOFF POWER CONNECTION KIT WITH END SEALS INSTALLATION SHEET)

FIBERGLASS TAPE RAPPED AROUND BACK TO ITSELF EVERY 6" THE INTIRE LENGTH OF THE HEATING CABLE.

UL REQUIRES CAUTION LABELS BE ATTACHED EVERY 10FT TO MEET CODES AND REGULATIONS.

NOTES:
THIS IS TO SHOW HOW TO LAYOUT YOUR SELF REGULATING SYSTEM OR CONSTANT WATTAGE HEAT TRACE CABLES.

THIS DOCUMENT IS THE PROPERTY OF PROTHERM INDUSTRIES, AND ALL INFORMATION CONTAINED IN OR DISCLOSED BY THIS DOCUMENT IS THE PROPERTY OF PROTHERM INDUSTRIES NEITHER RECEIPT NOR POSSESSION OF THIS DOCUMENT CONVERTS OR TRANSFERS ANY RIGHT IN, OR LICENSES THE USE OF THE SUBJECT MATTERS OF THIS DOCUMENT, OR ANY DESIGN OR TECHNICAL INFORMATION SHOWN THEREON. THIS DOCUMENT IS TO MAINTAINED AS CONFIDENTIAL BY THE RECIPIENT AND SHALL NOT BE COPIED OR DUPLICATED IN ANY MANNER WITHOUT EXPRESS WRITTEN CONSENT. PROTHERM INDUSTRIES P.O. BOX 8448 HERMITAGE, TN 37078

REVISIONS			ProTherm INDUSTRIES	Heating Elements Plus.com	Office Phone: (615) 834-4044 FAX: (615) 834-5834
NO	DATE	BY			
1					
2					
3					
4			NAME		
5			DRAWN BY: J.COLE	SCALE: NTS	COMPUTER: N/A
6			CHECKED: S.BARNEY	DATE: 11/1/17	DRAWING NUMBER: SELF-REG_HI
			REVAMPED: J.COLE	APPROVED: S.BARNEY	

LINE SENSING
INSTALLATION INSTRUCTIONS